



The Smartest Network Device

www.totolink.net



300Mbps Wireless N ADSL2+ Modem Router

Model No. **ND300**



Multiple solutions



Wi-Fi on/off button



300Mbps

➤ Overview

300Mbps Wireless N ADSL2+ Modem Router

Model No. **ND300**

ND300 is a wireless ADSL modem router which integrates the functions of high speed ADSL modem, wireless router and 4-port switch into one. Complying with the IEEE 802.11n standard, ND300 delivers up to 300Mbps Wi-Fi speed with stable connection.

It also supports the latest ADSL2/2+ standards to provide faster data rate for long distance transmission.

Generally, ND300 is the most convenient Wi-Fi solution for home use.



➤ Features

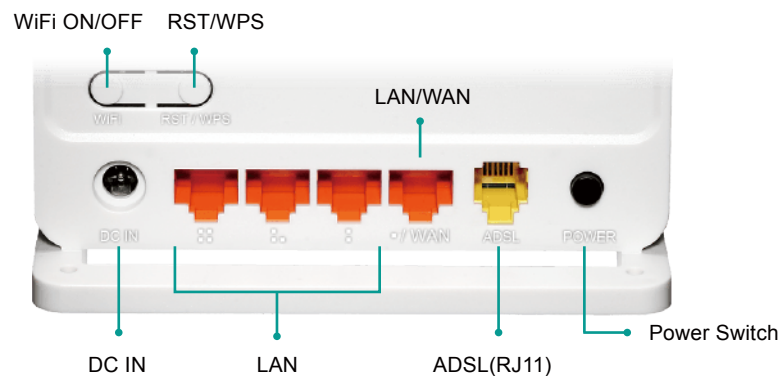
- Complies with IEEE 802.11n/g/b standards for 2.4GHz Wireless LAN.
- Up to 300Mbps data rate for Wi-Fi network.
- Combines functions of high speed ADSL Modem, wireless router and 4-port switch.
- Supports both ADSL and WAN broadband access.
- Provides 64/128-bit WEP, WPA, WPA2 and WPA/WPA2 (TKIP+AES) security.
- Supports IPv6 protocol.
- Supports PVC detecting automatically.
- IGMP multicast and IGMP proxy are supported.
- Multiple BSSID function allows user to set maximum three virtual APs for different needs.
- QoS function allocates network bandwidth reasonably.
- The IP, MAC and URL filtering makes access and time control more flexibly.
- Repeater and WDS function for easy Wi-Fi expansion.
- Wi-Fi on/off and Power on/off buttons make configuration simple.



Specification

Hardware

| | |
|------------------------|---|
| Interface | <ul style="list-style-type: none"> - 3 *10/100Mbps LAN Ports - 1 *10/100Mbps WAN/LAN Port - 1 *ADSL Port |
| Power Supply | - 9V DC/0.8A |
| Antenna | - 2 *5dBi fixed antennas |
| Button | <ul style="list-style-type: none"> - 1 *WPS/RST Button - 1 *WiFi ON/OFF Button - 1 *Power ON/OFF Switch |
| LED Indicators | - 1 *Power, 1 *System, 1*Internet, 1*WLAN, 1*ADSL, 4 *LAN |
| Dimensions (L x W x H) | - 4.8 x 3.9 x 2.1 in. (122 x 99 x 55mm) |



Wireless

| | |
|-----------------------|--|
| Standards | <ul style="list-style-type: none"> - IEEE 802.11n, IEEE 802.11g, IEEE 802.11b - ADSL, ADSL2, ADSL2+ |
| RF Frequency | - 2.4~2.4835GHz |
| Data Rate | <ul style="list-style-type: none"> - 802.11n: up to 300Mbps - 802.11g: up to 54Mbps (dynamic) - 802.11b: up to 11Mbps (dynamic) |
| EIRP | < 20dBm |
| Wireless Security | - 64/128-bit WEP, WPA/WPA2 (AES/TKIP) |
| Reception Sensitivity | <ul style="list-style-type: none"> - 270M: -61 dBm@10% PER - 135M: -65 dBm@10% PER - 54M: -68 dBm@10% PER - 11M: -85 dBm@8% PER - 6M: -88 dBm@10% PER - 1M: -90 dBm@8% PER |

Specification

Software

| | |
|-------------|--|
| Network | <ul style="list-style-type: none">- Easy Setup- WAN- LAN, LAN IPv6, DHCP |
| Wireless | <ul style="list-style-type: none">- MBSSID- Access Control List- WPS- WDS- Repeater |
| Advance | <ul style="list-style-type: none">- Route- NAT- QoS- CWMP- Port Mapping- Bridge Setting |
| Service | <ul style="list-style-type: none">- IGMP, UPnP, DDNS, FTP Server |
| Firewall | <ul style="list-style-type: none">- MAC/IP/PORT /URL Filter- ACL- DoS |
| Maintenance | <ul style="list-style-type: none">- Upgrade- Password- Reboot- Time- Log- Diagnostics |

Others

| | |
|------------------|---|
| Package Contents | <ul style="list-style-type: none">- ND300 Wireless ADSL Router *1- Power Adapter *1- Ethernet Cable *1- Telephone Cable *2- ADSL Splitter *1- Quick Installation Guide *1 |
| Environment | <ul style="list-style-type: none">- Operating Temperature: 0℃~40℃ (32℉~104℉)- Storage Temperature: -40℃~70℃ (-40℉~158℉)- Operating Humidity: 10%~90% non-condensing- Storage Humidity: 5%~90% non-condensing |

ZIONCOM (HK) TECHNOLOGY LIMITED

Copyright 2018 ZIONCOM (HK) TECHNOLOGY CO., LTD. All Rights Reserved.

Headquarter & R&D Center

7/F, Unit D, 4 Building Shenzhen Software Industry Base, Xuefu Road, Nanshan District, Shenzhen, Guangdong, China

Tel : +86-755-6136-3288 (Ext. 851) | FAX : +86-755-6136-3344

Factory

Building A1 & A2 Lantian Technology Park, Xinyu Road, Xinqiao Henggang Block, Shajing Street, Baoan District, Shenzhen, Guangdong, China

Direct Line : +86-755-6136-3395 | FAX : +86-755-6136-3322

ND300

300Mbps
Wireless N ADSL2+ Modem Router