



The Smartest Network Device

www.totolink.net



150Mbps Wireless N ADSL2/2+ Modem Router

Model No. **ND150**



Multiple solutions



Wi-Fi on/off button



150Mbps

➤ Overview

150Mbps Wireless N ADSL2/2+ Modem Router

Model No. **ND150**

ND150 is a Wireless ADSL Router which integrates the functions of high speed ADSL Modem, wireless router and 4-port switch into one. Complied with advanced IEEE 802.11n and latest ADSL 2/2+ standards, it delivers up to 150Mbps wireless data rate and provide higher performance with wider transmission coverage. Besides, ADSL or WAN connection is selectable accordingly.



➤ Features

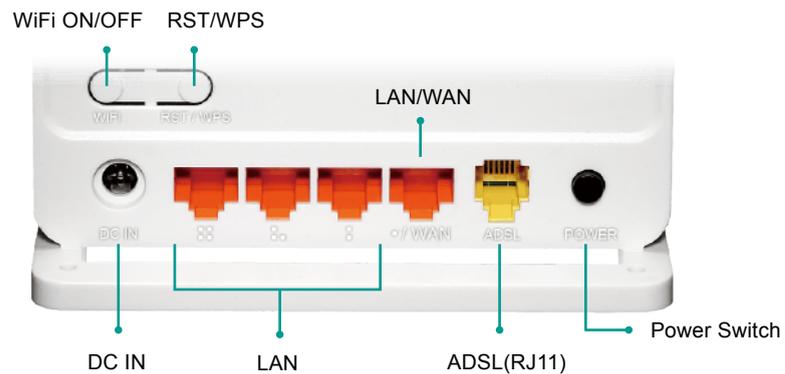
- Complies with IEEE 802.11n/g/b standards for 2.4GHz Wireless LAN.
- Up to 150Mbps data rate for Wi-Fi network.
- Combines functions of high speed ADSL Modem, wireless router and 4-port switch.
- Supports both ADSL and WAN broadband access.
- Provides 64/128-bit WEP, WPA, WPA2 and WPA/WPA2 (TKIP+AES) security.
- Supports IPv6 protocol.
- Supports PVC detecting automatically.
- IGMP multicast and IGMP proxy are supported.
- Multiple BSSID function allows user to set maximum three virtual APs for different needs.
- QoS function allocates network bandwidth reasonably.
- The IP, MAC and URL filtering makes access and time control more flexibly.
- Repeater and WDS function for easy Wi-Fi expansion.
- Wi-Fi on/off and Power on/off buttons make configuration simple.



Specification

Hardware

Interface	<ul style="list-style-type: none">- 3 *10/100Mbps RJ45 LAN Ports- 1 *10/100Mbps RJ45 WAN/LAN Port- 1 *RJ11 ADSL Port
Power Supply	<ul style="list-style-type: none">- 9V DC/0.5A
Antenna	<ul style="list-style-type: none">- 1*5dBi Fixed Antenna
Button	<ul style="list-style-type: none">- WPS/RST Button- Wi-Fi ON/OFF Button- Power ON/OFF Switch
LED Indicators	<ul style="list-style-type: none">- 1 * Power, 1 * System, 1* Internet, 1* WLAN, 1* ADSL, 4 * LAN
Dimensions (L x W x H)	<ul style="list-style-type: none">- 4.8 x 3.9 x 2.1 in. (122 x 99 x 55mm)



Wireless

Standards	<ul style="list-style-type: none">- IEEE 802.11n, IEEE 802.11g, IEEE 802.11b- ADSL, ADSL2, ADSL2+
RF Frequency	<ul style="list-style-type: none">- 2.4~2.4835GHz
Data Rate	<ul style="list-style-type: none">- 802.11n: up to 150Mbps- 802.11g: up to 54Mbps (dynamic)- 802.11b: up to 11Mbps (dynamic)
EIRP	<ul style="list-style-type: none">< 20dBm
Wireless Security	<ul style="list-style-type: none">- 64/128-bit WEP, WPA/WPA2 (AES/TKIP)
Reception Sensitivity	<ul style="list-style-type: none">- 135M: -65 dBm@10% PER- 54M: -68 dBm@10% PER- 11M: -85 dBm@8% PER- 6M: -88 dBm@10% PER- 1M: -90 dBm@8% PER

Specification

Software

Network	<ul style="list-style-type: none">- Easy Setup- WAN- LAN, LAN IPv6, DHCP
Wireless	<ul style="list-style-type: none">- MBSSID- Access Control List- WPS- WDS- Repeater
Advance	<ul style="list-style-type: none">- Route- NAT- QoS- CWMP- Port Mapping- Bridge Setting
Service	<ul style="list-style-type: none">- IGMP, UPnP, DDNS, FTP Server
Firewall	<ul style="list-style-type: none">- MAC/IP/PORT/URL Filter- ACL- DoS
Maintenance	<ul style="list-style-type: none">- Upgrade- Password- Reboot- Time- Log- Diagnostics

Others

Package Contents	<ul style="list-style-type: none">- ND150 Wireless ADSL Router *1- Power Adapter *1- Ethernet Cable *1- Telephone Cable *2- ADSL Splitter *1- Quick Installation Guide *1
Environment	<ul style="list-style-type: none">- Operating Temperature: 0 °C ~ 40 °C (32 °F ~ 104 °F)- Storage Temperature: -40 °C ~ 70 °C (-40 °F ~ 158 °F)- Operating Humidity: 10%~90% non-condensing- Storage Humidity: 5%~90% non-condensing

ZIONCOM (HK) TECHNOLOGY LIMITED

Copyright 2018 ZIONCOM (HK) TECHNOLOGY CO., LTD. All Rights Reserved.

Headquarter & R&D Center

7/F, Unit D, 4 Building Shenzhen Software Industry Base, Xuefu Road, Nanshan District, Shenzhen, Guangdong, China

Tel : +86-755-6136-3288 (Ext. 851) | FAX : +86-755-6136-3344

Factory

Building A1 & A2 Lantian Technology Park, Xinyu Road, Xinqiao Henggang Block, Shajing Street, Baoan District, Shenzhen, Guangdong, China

Direct Line : +86-755-6136-3395 | FAX : +86-755-6136-3322

ND150

150Mbps
Wireless N ADSL2/2+ Modem Router