



www.totolink.net

The Smartest Network Device



N200RE

300Mbps
Mini Wireless N Router



APP



IPTV



Firewall



Parental Control

➤ Overview

300Mbps Mini Wireless N Router

Model No. **N200RE**

The N200RE is a mini wireless router that allows you to access and share high-speed Internet at home. It can provide up to 300Mbps Wi-Fi, supports wired connection through two LAN ports. It is small in size and full-featured, making it one of the must-have choices at home.

➤ Features

- Complies with IEEE 802.11n/g/b standards for 2.4GHz Wireless LAN.
- "itotolink.net" easy access to the router management interface
- Up to 300Mbps data rate for Wi-Fi network.
- Supports DHCP, Static IP, PPPoE(dual access), PPTP(dual access), L2TP(dual access) broadband functions.
- Provides 64/128-bit WEP, WPA, WPA2 and WPA-Mixed security.
- Connects to secure network easily and fast using WPS.
- Supports IP, Port, MAC, URL filtering and Port Forwarding.
- QoS: Bandwidth Control based on IP/MAC.
- Multi-SSID allows user to create multiple SSIDs according to their needs.
- Supports VLAN function for IPTV and other internet services.
- Supports IPv6 (PPPoE / DHCP / Static IP) protocol (Optional)
- Supports TR-069 protocol for remote centralized management (Optional) .



Selling point

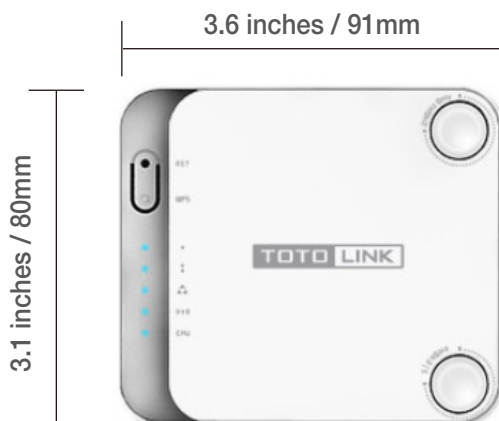
➤ 300Mbps Wireless Speed

N200RE complies with wireless 11n standard and delivers Wi-Fi speed up to 300Mbps, satisfying all internet activities like network communication, online gaming and video streaming.



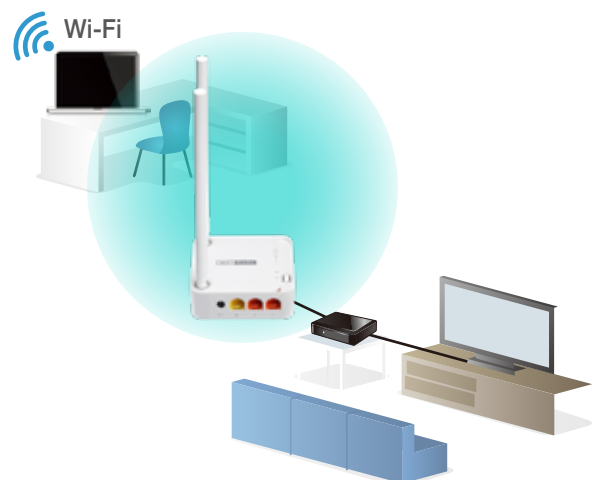
➤ Mini Design, Max Use

Two high performance antennas and two LAN ports design supports high speed Wi-Fi and wired connection simultaneously.



➤ Enjoy Your IPTV

Simply set up IPTV related information on N200RE's Easy Setup page, you can enjoy smooth IPTV and fast Wi-Fi simultaneously.



➤ Phone UI

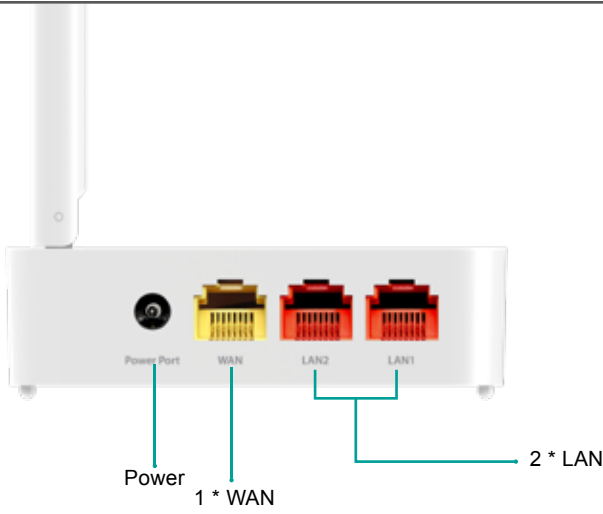
With the latest TOTOLINK APP in hand, managing routers has never been so easier. From the base setup to advanced personal settings, users can access and configure the router anywhere and anytime on their smartphone.



Specification

Hardware

Interface	- 2 * 100Mbps LAN Ports - 1 * 100Mbps WAN Port
Power Supply	- 9VDC / 0.5A
Antenna	- 2 *5dBi fixed antennas
Button	- 1 *RST Button - 1 *WPS Button
LED Indicators	- 1 *CPU, 1 *Wireless, 1 *WAN, 2 *LAN
Dimensions (L x W x H)	- 3.6 x 3.1 x 1.0 in. (91 x 80 x 25 mm)



The image shows the rear panel of a white device with a vertical antenna on the left. From left to right, there are four ports: a black circular Power Port, a yellow WAN port, a red LAN2 port, and a red LAN1 port. Labels with lines pointing to the ports indicate: 'Power' for the Power Port, '1 * WAN' for the WAN port, and '2 * LAN' for the LAN2 and LAN1 ports.

Wireless

Standards	- IEEE 802.11n, - IEEE 802.11g, - IEEE 802.11b
RF Frequency	- 2.4~2.4835GHz
Data Rate	- 2.4GHz : Up to 300Mbps
EIRP	- < 20dBm
Wireless Security	- 64/128-bit WEP, WPA/WPA2 and WPA-Mixed
Reception Sensitivity	- 270M: -61 dBm@10% PER - 135M: -65 dBm@10% PER - 54M: -68 dBm@10% PER - 11M: -85 dBm@8% PER - 6M: -88 dBm@10% PER - 1M: -90 dBm@8% PER

Specification

Software

Operation Mode	- Gateway Mode - Repeater Mode - AP Mode - WISP Mode
Status	- WAN - Wireless - LAN - System Information
Network	- WAN Setting - LAN Setting - IPTV Setting - DHCP&ARP Tables -Static Route - Routing Table
WAN Type	- Static IP, DHCP, PPPoE/Russia PPPoE, PPTP/Russia PPTP, L2TP/Russia L2TP
IPv6 Protocol	- DHCP/Static IP/PPPoE
Wireless	- Basic Settings - Multiple SSID1 - Multiple SSID2 - Multiple SSID3 -Multiple SSID4 - Advanced Settings - Access Control - WDS Settings - WPS Settings - Wireless Schedule
QoS	- Up/Down speed control on WAN, Bandwidth control based on IP address
Firewall	- MAC Filtering - IP/Port Filtering - Virtual Server(Port Forwarding) - URL Filtering - DMZ
System	- Upgrade Firmware - Save/Reload Settings - Time Zone Settings - DDNS - Denial-of-Service - TR-069 Config - Password Settings - Reboot Schedule - System Log - Statistics - Run Command - Logout

Others

Package Contents	- N200RE Wireless Router *1 - Power Adapter *1 - Ethernet Cable *1 - Quick Installation Guide *1
Environment	- Operating Temperature: 0℃~40℃ (32℉~104℉) - Storage Temperature: -40℃~70℃ (-40℉~158℉) - Operating Humidity: 10%~90% non-condensing - Storage Humidity: 5%~90% non-condensing

ZIONCOM (HK) TECHNOLOGY LIMITED

Copyright©ZIONCOM (HK) TECHNOLOGY CO., LTD. All Rights Reserved.

Headquarter & R&D Center

7/F, Unit D, 4 Building Shenzhen Software Industry Base, Xuefu Road,
Nanshan District, Shenzhen, Guangdong, China

Tel : +86-755-6136-3288 (Ext.867) | FAX : +86-755-6136-3344

Factory

Building A1 & A2 Lantian Technology Park, Xinyu Road, Xinqiao Henggang Block,
Shajing Street, Baoan District, Shenzhen, Guangdong, China

Direct Line : +86-755-3686-1188(Ext. 5810) | FAX : +86-755-3686-1133

N200RE

300Mbps Mini Wireless N Router