

TOTO LINK

www.totolink.net

The Smartest Network Device



N200RE_V5 300Mbps Mini Wireless N Router



APP



IPTV



Firewall



Parental Control

➤ Overview

300Mbps Mini Wireless N Router

Model No. **N200RE_V5**

N200RE_V5 is specially designed for small home and offices, delivering wireless speed up to 300Mbps.

Mini structure with 2LAN+WAN interface makes it particularly convenient for the travelers to establish wireless and wired network on their travel.

Generally, it is a cost-effective solution for small groups to access the Internet.

➤ Features

- Complies with the latest IEEE 802.11n standards.
- 2.4GHz wireless speed up to 300Mbps.
- Supports DHCP, Static IP, PPPoE Internet connection type.
- Provides WPA/WPA2 mixed security.
- Secured wireless connection can be established with only one push on the WPS button.
- QoS: Bandwidth Control based on IP address.
- IPTV function allows to enjoy online movies at home.
- Supports IP/Port filtering, MAC filtering, URL filtering, Virtual Server and DMZ.
- Multiple SSIDs enables to create different guest network.
- Supports to log in the router via domain access <http://itotolink.net>
- APP on phone enables remote management for TOTOLINK routers.



Selling point

➤ Easy Wireless Extender

N200RE_V5 easily helps to extend your source Wi-Fi to wider coverage and eliminate the Wi-Fi dead spots in the large rooms, thus enabling more users to get access to the Internet.



➤ APP for remote management

With the latest TOTOLINK APP in hand, managing routers has never been so easier. From the base setup to advanced personal settings, users can access and configure the router anywhere and anytime on their smartphone.



➤ WPS button for easy connections

Secured wireless connection can be established with only one push on the WPS button, no need to input the lengthy passwords anymore.



➤ IPTV helps to catch the latest teleplay

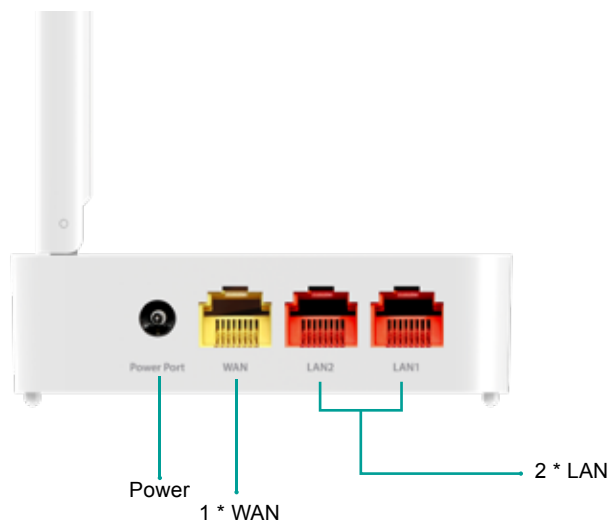
Enjoy the popular movies and the latest teleplay with your families. N200RE_V5 is your ideal cost-effective solution to enjoy the Streaming Media at home.



Specification

Hardware

Interface	- 2 * 100Mbps LAN Ports - 1 * 100Mbps WAN Port
Power Supply	- 5VDC / 0.6A
Button	- 1 * RST/WPS Button
LED Indicators	- 1 * System, 1 * Wi-Fi, 1 * WAN, 2* LAN
Antenna	- 2 * external fixed antennas (2.4G)
Dimensions (L x W x H)	- 91 x 80 x 25mm



Wireless

Standards	- IEEE 802.11b, - IEEE 802.11g, - IEEE 802.11n
RF Frequency	- 2.4~2.4835GHz
Data Rate	- 2.4GHz : Up to 300Mbps
EIRP	- < 20dBm
Wireless Security	- WPA/WPA2 Mixed
Reception Sensitivity	- 11b 11M: -85dBm@8% PER - 11g 54M: -72dBm@10% PER - 11n HT20 MCS7: -68dBm@10% PER HT40 MCS7: -65dBm@10% PER

Specification

Software

Operation Mode	- Gateway Mode - Repeater Mode - Bridge Mode - WISP Mode
Home	- Quick Setup - Basic setup - Advanced setup - QR Code - LED - Logout - Reboot
Network	- WAN Setting - LAN Setting - DDNS Setting - IPTV Setting - IPv6 Setting
WAN Type	- Static IP, DHCP, PPPoE/Russia PPPoE, PPTP/Russia PPTP, L2TP/Russia L2TP
Wireless	- Basic setup - Guest Network(Multiple SSID) - Wireless Schedule - Access Control - Advanced setup
Parental Control	- Internet time control based on MAC
QoS	- Up/Down speed control on WAN, Bandwidth control based on IP address
Device management	- Static Route - Routing Table - IP/MAC Binding
Security	- MAC Filtering - IP/Port Filtering - URL Filtering
NAT	- Virtual Server(Port Forwarding) - DMZ - VPN passthrough
Tools	- Upgrade Firmware - Time Setup - Remote management - Password Settings - Reboot Schedule - System Log and so on

Others

Package Contents	- N200RE_V5 Wireless Router *1 - Power Adapter *1 - Ethernet Cable *1 - Quick Installation Guide *1
Environment	- Operating Temperature: 0℃~50℃ (32℉~122℉) - Storage Temperature: -40℃~70℃ (-40℉~158℉) - Operating Humidity: 10%~90% non-condensing - Storage Humidity: 5%~90% non-condensing

ZIONCOM (HK) TECHNOLOGY LIMITED

Copyright©ZIONCOM (HK) TECHNOLOGY CO., LTD. All Rights Reserved.

Headquarter & R&D Center

7/F, Unit D, 4 Building Shenzhen Software Industry Base, Xuefu Road,
Nanshan District, Shenzhen, Guangdong, China

Tel : +86-755-6136-3288 (Ext.867) | FAX : +86-755-6136-3344

Factory

Building A1 & A2 Lantian Technology Park, Xinyu Road, Xinqiao Henggang Block,
Shajing Street, Baoan District, Shenzhen, Guangdong, China

Direct Line : +86-755-3686-1188(Ext. 5810) | FAX : +86-755-3686-1133