



www.totolink.net

The Smartest Network Device



N100RE

150Mbps Mini Wireless N Router



APP



IPTV



Firewall



Parental Control

➤ Overview

150Mbps Mini Wireless N Router

Model No. **N100RE**

N100RE is a mini wireless router that allows you to access and share high speed Internet at home.

Complies with IEEE 802.11n standard ,

N100RE delivers up to 150Mbps Wi-Fi and ensures reliable connection though the high performance antenna.

Meanwhile, N100RE supports wired connection via LAN port, a cost effective solution for general home use.



➤ Features

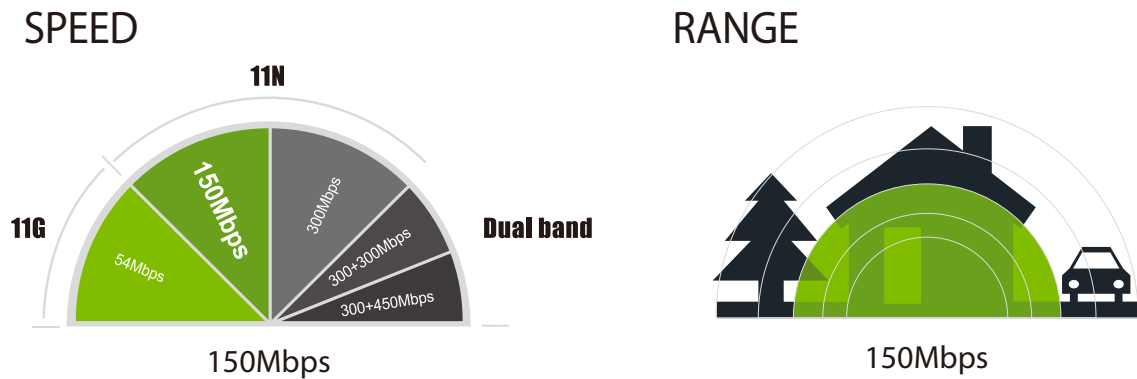
- Complies with IEEE 802.11n/g/b standards for 2.4GHz Wireless LAN.
- Up to 150Mbps data rate for Wi-Fi network.
- Supports DHCP, Static IP, PPPoE(dual access), PPTP(dual access), L2TP(dual access) broadband functions.
- Provides 64/128-bit WEP, WPA, WPA2 and WPA-Mixed security.
- Connects to secure network easily and fast using WPS.
- Supports IP, Port, MAC, URL filtering and Port Forwarding.
- QoS: Bandwidth Control based on IP/MAC.
- Multi-SSID allows user to create multiple SSIDs according to their needs.
- Supports VLAN function for IPTV and other internet services.
- Universal repeater and WDS function for easy Wi-Fi extension.
- Supports TR-069 protocol for remote centralized management.



Selling point

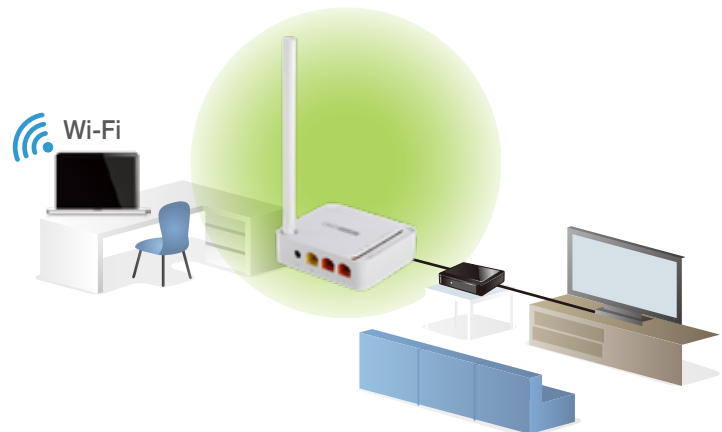
➤ 150Mbps Wireless Speed

N100RE complies with wireless 11n standard and delivers Wi-Fi speed up to 150Mbps, satisfying all internet activities like network communication, online gaming and video streaming.



➤ Enjoy Your IPTV

Simply set up IPTV related information on N100RE's Easy Setup page, you can enjoy smooth IPTV and fast Wi-Fi simultaneously.



➤ Mini Design, Max Use

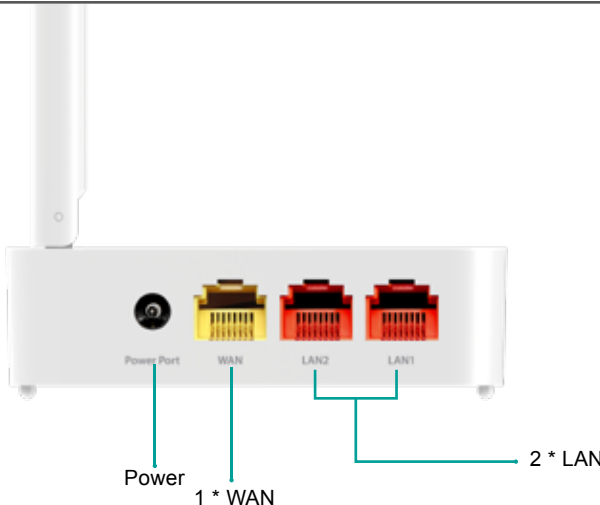
One high performance antenna and two LAN ports design supports high speed Wi-Fi and wired connection simultaneously.



Specification

Hardware

Interface	- 2 * 10/100Mbps LAN Ports - 1 * 10/100Mbps WAN Port
Power Supply	- 9VDC/0.5A
Antenna	- 1 * 5dBi fixed antenna
Button	- 1 * RST Button - 1 * WPS Button
LED Indicators	- 1 * CPU, 1 * Wireless, 1 * WAN, 2 * LAN
Dimensions (L x W x H)	- 3.6 x 3.1 x 1.0 in. (91 x 80 x 25 mm)



Wireless

Standards	- IEEE 802.11n, - IEEE 802.11g, - IEEE 802.11b
RF Frequency	- 2.4~2.4835GHz
Data Rate	- 802.11n: Up to 150Mbps - 802.11g: Up to 54Mbps (dynamic) - 802.11b: Up to 11Mbps (dynamic)
EIRP	- < 20dBm
Wireless Security	- 64/128-bit WEP, WPA/WPA2 and WPA-Mixed
Reception Sensitivity	- 135M: -65 dBm@10% PER - 54M: -68 dBm@10% PER - 11M: -85 dBm@8% PER - 6M: -88 dBm@10% PER - 1M: -90 dBm@8% PER

Specification

Software

Operation Mode	<ul style="list-style-type: none">- Router Mode- Repeater Mode- AP Mode- WISP Mode
Network	<ul style="list-style-type: none">- Static DHCP Setting, IPTV
WAN Type	<ul style="list-style-type: none">- Static IP, DHCP, PPPoE/Russia PPPoE, PPTP/Russia PPTP, L2TP/Russia L2TP
Wireless Functions	<ul style="list-style-type: none">- Multiple SSID, Access Control, WDS, WPS
Schedule	<ul style="list-style-type: none">- Reboot Schedule, Wireless Schedule
QoS	<ul style="list-style-type: none">- QoS Setup, Connect Limit Control
Firewall	<ul style="list-style-type: none">- MAC Filtering, IP/Port Filtering, URL Filtering, Virtual Server(Port Forwarding) , DMZ
System	<ul style="list-style-type: none">- Upgrade Firmware, Save/Reload Settings, Time Zone Settings, DDNS, Denial-of-Service, TR-069 Config, Password Settings, System Log, and more

Others

Package Contents	<ul style="list-style-type: none">- N100RE Wireless Router *1- Power Adapter *1- Ethernet Cable *1- Quick Installation Guide *1
Environment	<ul style="list-style-type: none">- Operating Temperature: 0℃~40℃ (32℉~104℉)- Storage Temperature: -40℃~70℃ (-40℉~158℉)- Operating Humidity: 10%~90% non-condensing- Storage Humidity: 5%~90% non-condensing

ZIONCOM (HK) TECHNOLOGY LIMITED

Copyright©ZIONCOM (HK) TECHNOLOGY CO., LTD. All Rights Reserved.

Headquarter & R&D Center

7/F, Unit D, 4 Building Shenzhen Software Industry Base, Xuefu Road, Nanshan District, Shenzhen, Guangdong, China

Tel : +86-755-6136-3288 (Ext.867) | FAX : +86-755-6136-3344

Factory

Building A1 & A2 Lantian Technology Park, Xinyu Road, Xinqiao Henggang Block, Shajing Street, Baoan District, Shenzhen, Guangdong, China

Direct Line : +86-755-3686-1188(Ext. 5810) | FAX : +86-755-3686-1133

N100RE

150Mbps Mini Wireless N Router