

TOTO LINK

The Smartest Network Device

Quick Installation Guide

Ethernet Switch

Suitable for: SG16,SG16D,SG24,SG24D
 SW16,SW16D,SW16DM,
 SW24,SW24D,SW24DM

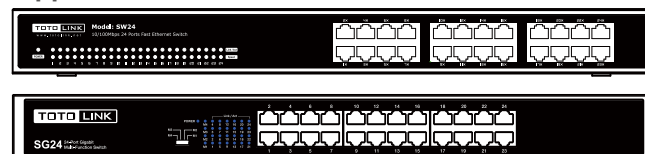
Copyright © TOTOLINK., All rights reserved.
 Information in this document is subject to change without prior notice.
 For more information, please go to www.totolink.net

1 Before Installation

Checking Package Contents

- 1* 16/24 ports Ethernet Switch
- 1* Power Cord
- 1* Quick Installation Guide
- 2* Mounting Brackets and the fittings

Appearance



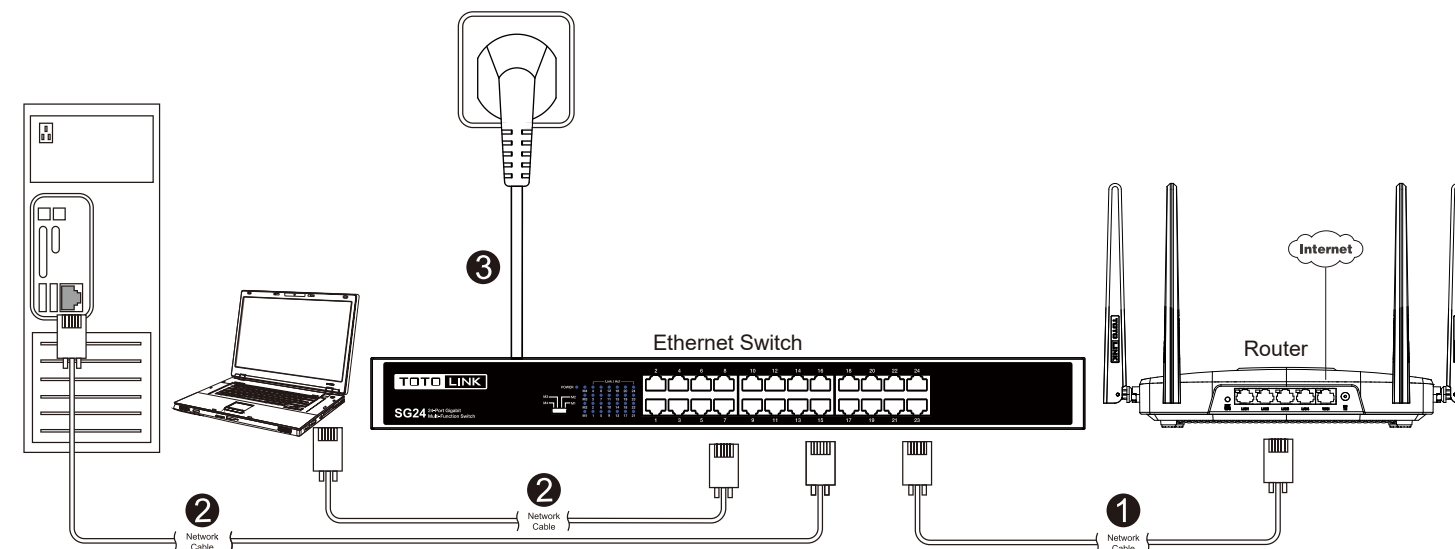
(Take SW24 & SG24 for Example)

LED Indicators

LED Indicator	Description
POWER	The indicator lights green when powered on
Link/Act (1~16 or 1~24)	The corresponding indicator lights green when connected to other device, flashes green during data transfer
Working Modes (Only for SG24 & SG24D)	M1 Flow Control OFF
	M2 Flow Control ON
	M3 23/24 Ports Aggregation based on MAC sources
	M4 1-22 Port Isolation, 23~24 Port Uplink

Note: M3 mode must be used with TOTOLINK products

2 Hardware Installation

 Refer to the application scene graph below

- 1 Use Ethernet cable to connect router to Switch (LAN port to LAN port)
- 2 Use Ethernet cable to connect PC or Laptop's RJ45 port to Switch
- 3 Plug one end of the power cord into switch's AC power jack and then other end to wall socket.



Notice

1. The switch should be used indoor only.
2. Use the Power cord comes with the switch.
3. Set the device on a flat surface strong enough to support the entire weight of the device with all fittings.
4. Don't place heavy objects on the switch.